



LHM Silicone Markers Extended Fire Safety



Standards:

- EN45545 (HL1, HL2 & HL3)
- LUL 1-085
- LUL 2-01001-002 (E1042A6)
- BS6853 Cat. 1a
- LUL R.M.E.716, Iss.B
- JAR25.853(b)

Product Overview:

The Sumitag™ LHM Silicone Markers are manufactured from OSLH silicone. These silicone markers were developed to meet the stringent flame temperature index requirements for the mass transit industry. The material is compliant with London Underground specifications and is used in new build projects as well as refurbishment and modifications contracts.

Product Features:

- Flame retardant
- Low smoke
- Zero halogen
- Self extinguishing
- Outstanding low fire hazard properties
- Pre-lubricated sleeves available
- Printed to customer requirements
- Available in 12 colors

SUMITOMO ELECTRIC INTERCONNECT PRODUCTS, INC.

915 Armorlite Drive
San Marcos, CA 92069-1440

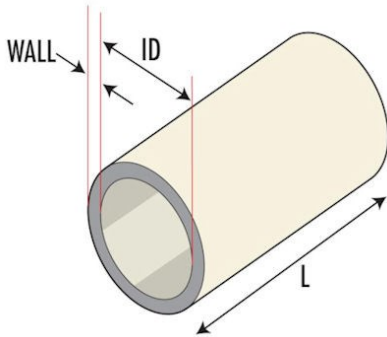
t: 800.758.3515
f: 800.758.3517
e: customerservice@seipusa.com
w: www.seipusa.com

LHM Silicone Markers Extended Fire Safety

Printing:

Custom printed at factory per customer specs.

Characters can be printed in single or multi-lines of any length, from once to multiple times around the sleeve, in horizontal, vertical or Variaxial®. (Combination of horizontal and vertical formats).



Technical Specifications:

Property	Value
Temperature Range	-65° C to +200° C
Flammability	>340
Color Fastness	Standard 6 Minimum
Tensile Strength	5.5 MPa Minimum
Elongation at Break	150% Minimum
Chemical Resistance	Poor
Resistance to Mold Growth	BS2011 pt 2.1J
Proof Voltage	1k per 0.1mm
Insulation Resistance (Dry)	100,000 Megohms Min.
	Wall Thickness

Product Reference	Nominal Bore ID (MM)	Nominal Wall Thickness (MM)	Color Code
LHM05/05	0.5	0.5	BK = Black
LHM075/05	0.75	0.5	BN = Brown
LHM10/05	1.0	0.5	RD = Red
LHM15/05	1.5	0.5	ORN = Orange
LHM20/05	2.0	0.5	YW = Yellow
LHM25/05	2.5	0.5	GN = Green
LHM30/05	3.0	0.5	BE = Blue
LHM40/05	4.0	0.5	VT = Violet
LHM50/05	5.0	0.5	GY = Grey
LHM75/07	7.5	0.7	WE = White
LHM100/07	10.0	0.7	PK = Pink